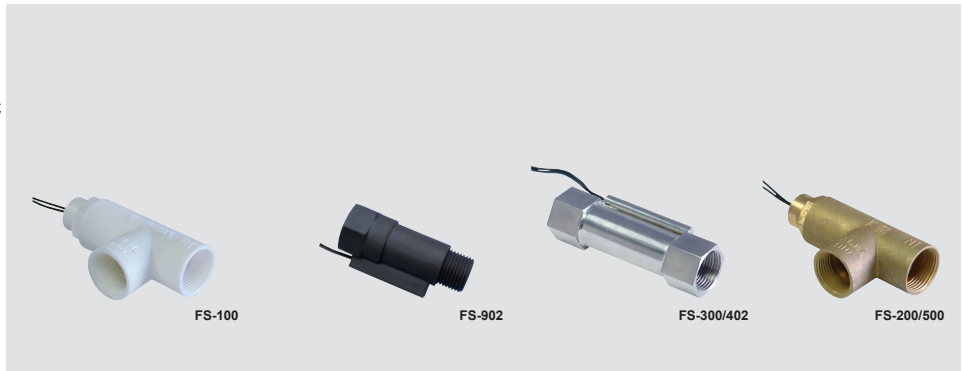


**Electrical connection:** 300 mm cable  
**Switch rating:** 0.8A max  
**Switch current:** 1.5A  
**Switch voltage:** 250 VAC / 200 VDC  
**Material:** Plastic  
 Brass  
 Stainless  
**Liquid medium:** Clean water



type	for domestic use	heavy duty	for domestic use	heavy duty	heavy duty	heavy duty
<b>Model</b>	<b>FS-100</b>	<b>FS-200</b>	<b>FS-902</b>	<b>FS-300</b>	<b>FS-402</b>	<b>FS-500</b>
<b>Fitting</b>	NPT3/4"	NPT3/4"	1/2"NPT for inlet 1/2" NPT for outlet	NPT3/4"	NPT1/2"	NPT1/2"
<b>Flow switches housing</b>	plastic PPR	brass - C37700	plastic PBT	SUS304	SUS304	brass - C37700
<b>Operating pressure</b>	120 PSI max	150 PSI max	140 PSI max	250 PSI max	250 PSI max	150 PSI max
<b>Temperature range</b>	-10 - 80°C	-10 - 120°C	-10 - 105°C	-20 - 120°C	-20 - 120°C	-10 - 120°C
<b>Medium (liquid)</b>	clean water	clean water	clean water	clean water	clean water	clean water
<b>Contact form</b>	form A S.P.S.T.	form A S.P.S.T.	form A S.P.S.T.	form A S.P.S.T.	form A S.P.S.T.	form A S.P.S.T.
<b>Canry current</b>	1.5A	1.5A	1.0A	1.5A	1.5A	1.5A
<b>Switch current</b>	0.8A max	0.8A max	0.7A max	0.8A max	0.8A max	0.8A max
<b>Switch voltage</b>	220 VAC/DC	220 VAC/DC	220 VAC/DC	220 VAC/DC	220 VAC/DC	220 VAC/DC
<b>Power rating</b>	50VA	50VA	50VA	50VA	50VA	50VA
<b>Lead wire</b>	AWG 22, 300 mm length, U1430 lead wire free terminal	AWG 22, 300 mm length, U1430 lead wire free terminal	AWG 22, 300 mm length, U1430 lead wire free terminal	AWG 22, 300 mm length, U1430 lead wire free terminal	AWG 22, 300 mm length, U1430 lead wire free terminal	AWG 22, 300 mm length, U1430 lead wire free terminal
<b>Operating flow rating</b>	1.5L/min	1.10 - 8L/min	0.75 - 2L/min	1.0 - 8L/min	1.2 - 4L/min	1 - 4L/min
<b>Setting flow value accuracy</b>	±10%	±10%	±10%	±10%	±10%	±10%
<b>Mounting orientation (vertical or horizontal)</b>	As signal of flow direction mounting orientation	As signal of flow direction mounting orientation	As signal of flow direction mounting orientation at any orientation	As signal of flow direction mounting orientation	As signal of flow direction mounting orientation	As signal of flow direction mounting orientation
<b>Maximum flow</b>	15L/min (pressure drop is 10 PIS)	25L/min (pressure drop is 10 PIS)	10L/min (pressure drop is 10 PIS)	10L/min (pressure drop is 10 PIS)	10L/min (pressure drop is 10 PIS)	15L/min (pressure drop is 10 PIS)
<b>Wire colour</b>	black colour	black colour	black colour	black colour	black colour	black colour
<b>Mounting shock</b>	30g for 11ms duration	30g for 11ms duration	30g for 11ms duration	30g for 11ms duration	30g for 11ms duration	30g for 11ms duration
<b>Mounting vibration</b>	35 to 500Hz	35 to 500Hz	35 to 500Hz	35 to 500Hz	35 to 500Hz	35 to 500Hz
<b>Duration of cycle</b>	100.000 cycles	100.000 cycles	100.000 cycles	100.000 cycles	100.000 cycles	100.000 cycles