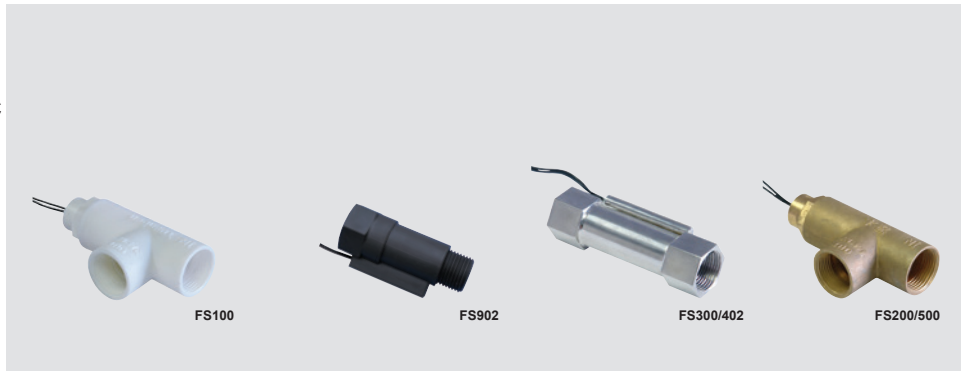


Electrical connection: 300 mm cable
Switch rating: 0.8A max
Switch current: 1.5A
Switch voltage: 250 VAC / 200 VDC
Material: Plastic
 Brass
 Stainless
Liquid medium: Clean water



type	for domestic use	heavy duty	for domestic use	heavy duty	heavy duty	heavy duty
Model	FS-100	FS-200	FS-902	FS-300	FS-402	FS-500
Fitting	NPT3/4"	NPT3/4"	1/2"NPT for inlet 1/2" NPT for outlet	NPT3/4"	NPT1/2"	NPT1/2"
Flow switches housing	plastic PPR	brass - C37700	plastic PBT	SUS304	SUS304	brass - C37700
Operating pressure	120 PSI max	150 PSI max	140 PSI max	250 PSI max	250 PSI max	150 PSI max
Temperature range	-10 - 80°C	-10 - 120°C	-10 - 105°C	-20 - 120°C	-20 - 120°C	-10 - 120°C
Medium (liquid)	clean water	clean water	clean water	clean water	clean water	clean water
Contact form	form A S.P.S.T.	form A S.P.S.T.	form A S.P.S.T.	form A S.P.S.T.	form A S.P.S.T.	form A S.P.S.T.
Canry current	1.5A	1.5A	1.0A	1.5A	1.5A	1.5A
Switch current	0.8A max	0.8A max	0.7A max	0.8A max	0.8A max	0.8A max
Switch voltage	220 VAC/DC	220 VAC/DC	220 VAC/DC	220 VAC/DC	220 VAC/DC	220 VAC/DC
Power rating	50VA	50VA	50VA	50VA	50VA	50VA
Lead wire	AWG 22, 300 mm length, U1430 lead wire free terminal	AWG 22, 300 mm length, U1430 lead wire free terminal	AWG 22, 300 mm length, U1430 lead wire free terminal	AWG 22, 300 mm length, U1430 lead wire free terminal	AWG 22, 300 mm length, U1430 lead wire free terminal	AWG 22, 300 mm length, U1430 lead wire free terminal
Operating flow rating	1.5L/min	1.10 - 8L/min	0.75 - 2L/min	1.0 - 8L/min	1.2 - 4L/min	1 - 4L/min
Setting flow value accuracy	±10%	±10%	±10%	±10%	±10%	±10%
Mounting orientation (vertical or horizontal)	As signal of flow direction mounting orientation	As signal of flow direction mounting orientation	As signal of flow direction mounting orientation at any orientation	As signal of flow direction mounting orientation	As signal of flow direction mounting orientation	As signal of flow direction mounting orientation
Maximum flow	15L/min (pressure drop is 10 PIS)	25L/min (pressure drop is 10 PIS)	10L/min (pressure drop is 10 PIS)	10L/min (pressure drop is 10 PIS)	10L/min (pressure drop is 10 PIS)	15L/min (pressure drop is 10 PIS)
Wire colour	black colour	black colour	black colour	black colour	black colour	black colour
Mounting shock	30g for 11ms duration	30g for 11ms duration	30g for 11ms duration	30g for 11ms duration	30g for 11ms duration	30g for 11ms duration
Mounting vibration	35 to 500Hz	35 to 500Hz	35 to 500Hz	35 to 500Hz	35 to 500Hz	35 to 500Hz
Duration of cycle	100.000 cycles	100.000 cycles	100.000 cycles	100.000 cycles	100.000 cycles	100.000 cycles