



BFK1810A



BFK80K00



G460



DCTM...

Lovato's special capacitor switching contactors are equipped with early-make limiting resistors that limit in-rush currents initially before making contact. The resistors disconnected from the circuit when the contactor closing operation is complete.

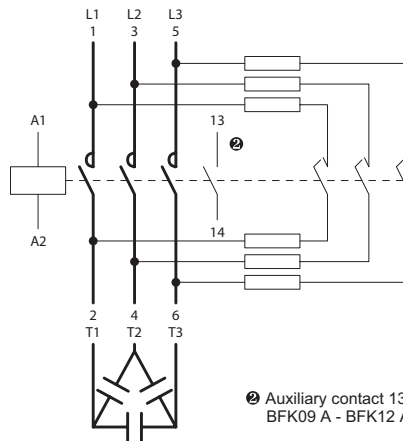
type	max. operating power			auxiliary contact	description
	kvar 400V	kvar 440V	rated current		

**Capacitor switching contactors**

<b>BFK1210A</b>	12.5	14	18A	1NO	capacitor switching contactor
<b>BFK1810A</b>	15	17	23A	1NO	capacitor switching contactor
<b>BFK2600A</b>	20	22	30A	-	capacitor switching contactor
<b>BFK3800A</b>	30	33	43A	-	capacitor switching contactor
<b>BFK6500A</b>	45	50	65A	-	capacitor switching contactor
<b>BFK8000A</b>	50	56	75A	-	capacitor switching contactor
<b>BF80K00</b>	60	65	90A	-	capacitor switching contactor

**Kit to assemble BFK contactors from standard contactors**

<b>G460</b>	for contactor BF0910A, BF1210A, BFK1810A, BF2600A, BF3200A, BF3800A
<b>BFX10K3</b>	for contactor BF5000A, BF6500A, BF8000A



⊗ Auxiliary contact 13-14 is found on BFK09 A - BFK12 A - BFK18 A types only

**Thyristor switching modules**

- Suitable for dynamic (*fast*) power factor correction
- Capacitor switching at current flow zero-crossing
- Prevents high in-rush currents at capacitor switching

type	kvar 400V	kvar 480V	rated current	operational voltage	description
<b>DCTM3 400 030</b>	30	36	43A	400 - 480V	thyristor switching module
<b>DCTM3 400 050</b>	50	60	72A	400 - 525V	thyristor switching module
<b>DCTM3 400 100</b>	100	120	144A	400 - 525V	thyristor switching module