



Float switches (reed type)

When the magnetic field (caused by internal permanent magnet) is moved into the proximity of the sealed reed switch inside the stationary stem, the reed switch “snaps” its contacts together, closing the electrical circuit. When the permanent magnet is moved away from the reed switch the circuit is opened. The float switches are extremely compact, simple and easy to install in tight spaces. The switches are not effected by electrical interference and withstand chemicals, high temperatures and pressures. Safe-convenient-low cost.

Electrical connection	300mm cable
Switch current	0-7A (1.5A carrying current)
Switch voltage	250VAC/200VDC
Material	plastic: PP (polypropolene) - 10°C~ + 75°C stainless steel: stem sus304/float sus316 -30°C~ + 125°C
Switch contact	N.O. (reversible by reversing float)
Accuracy	±2mm in water



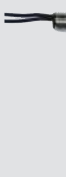
LSA-34-1/2



LSA-40-1/2



LSA-40-1/2



LSA-75-1/2



LSAZ-80-P1



LSAZ-88-P1



LSAZ-85-P1



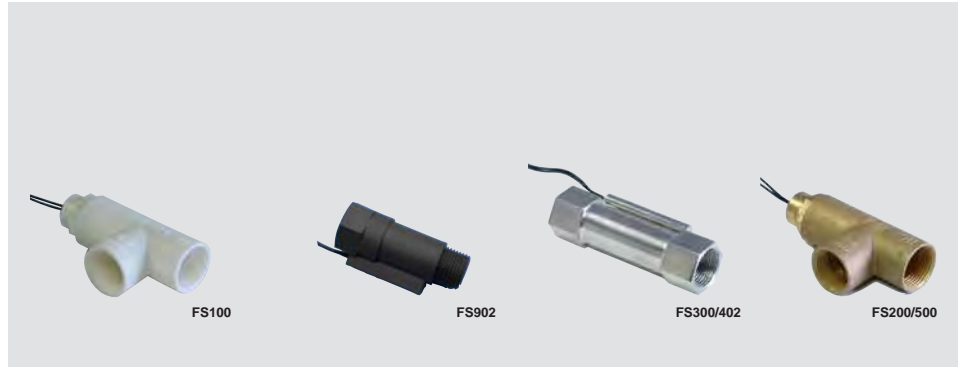
LSAZ-100

type	mounting	thread size	pressure	description	price
Plastic type (top/bottom mount) short stem 36mm (float Ø20mm (H) 24mm)					
LSA-34-1/2	top(or)bottom	M10	0.8Mpa	vertical mnt float switch	
Plastic type (top/bottom mount) long stem 55mm (float Ø20mm (H) 24mm)					
LSA-55-1/2	top(or)bottom	M10	0.8Mpa	internal vertical switch	
Stainless steel type (float Ø 28mm, H 28mm)					
Short stem 40mm (float Ø28mm (H) 20mm)					
LSA-40-1/2	top(or)bottom	G1/8"	1.8Mpa	internal vertical switch	
Long stem 100mm (float Ø28mm (H) 20mm)					
LSA-100-1/2	top(or)bottom	G1/8"	1.8Mpa	internal vertical switch	
LS-318	top(or)bottom	G1"	1.8Mpa	internal vertical switch	
Bent stem 100mm (float Ø28mm (H) 20mm)					
LSAZ-75-1/2	side mount	G1/8"	1.8Mpa	internal horizontal switch	
Nylon type (side mount) hing type float					
Can be used for “high” or “low” sensing (by turning float direction “up” of “down”)					
Internal mounting (float Ø17mm (L) 47mm)					
LSAZ-80-P1	side	M16	0.8Mpa	internal horizontal switch	
Externall mounting (float Ø17mm (L) 47mm)					
LSAZ-88-P1	side	NPT1/2"	0.8Mpa	external horizontal switch	
LSAZ-85-P1	side(back thread)	NPT1/2"	0.8Mpa	external horizontal switch	
Stainless steel type (SUS 304)					
(float Ø17mm (L) 47mm)					
LSAZ-90	side	NPT1/2"	1.0Mpa	internal horizontal switch	
LSAZ-100	side	NPT1/2"	2.0Mpa	external horizontal switch	



Flow switches (reed type)

Electrical connection 300mm cable
Switch rating 0.8A max
Switch current 1.5A
Switch voltage 250VAC/200VDC
Material plastic
 brass
 stainless
 clean water
Liquid medium



Type	FS-100	FS-200	FS-902	FS-300	FS-402	FS-500
Model	FS-100	FS-200	FS-902	FS-300	FS-402	FS-500
Fitting	FNPT3/4"	FNPT3/4"	1/2"NPT for inlet 1/2" FNPT for outlet	FNPT3/4"	FNPT1/2"	FNPT1/2"
Flow switches housing	plastic PPR	brass	plastic PVC	SUS304	SUS304	brass
Operating pressure	140 PSI max	150 PSI max	140 PSI max	250 PSI max	250 PSI max	140 PSI max
Temperature range	-10~80°C	-20~120°C	0~80°C	-20~120°C	-20~120°C	-20~120°C
Medium (Liquid)	clean water	clean water	clean water	clean water	clean water	clean water
Contact form	form A.S.P.S.T.	form A.S.P.S.T.	form A.S.P.S.T.	form A.S.P.S.T.	form A.S.P.S.T.	form A.S.P.S.T.
Canry current	1.5A	1.5A	1.0A	1.5A	1.5A	1.5A
Switch current	0.8Amax	0.8Amax	0.7Amax	0.8Amax	0.8Amax	0.8Amax
Switch voltage	250Vdc	250Vdc	220Vdc	250Vdc	250Vdc	250Vdc/ac
Power rating	50AV	50AV	50AV	50AV	50AV	50AV
Lead wire	AWG 22, 300mm length, U11430 lead wire free terminal	AWG 22, 300mm length, U11430 lead wire free terminal	AWG 22, 300mm length, U11430 lead wire free terminal	AWG 22, 300mm length, U11430 lead wire free terminal	AWG 22, 300mm length, U11430 lead wire free terminal	AWG 22, 300mm length, U11430 lead wire free terminal
Operating flow rating	1~8L/min	0.80~8L/min	1.0~3L/min	1.0~8L/min	0.80~4L/min	1~10L/min
Setting flow value accuracy	±10%	±10%	±10%	±10%	±10%	±10%
Mounting orientation (Vertical or Horizontal)	As signal of flow direction mounting orientation	As signal of flow direction mounting orientation	As signal of flow direction mounting orientation at any orientation	As signal of flow direction mounting orientation	As signal of flow direction mounting orientation	As signal of flow direction mounting orientation
Maximum flow	20L/min (pressure drop is 10 PIS)	20L/min (pressure drop is 10 PIS)	20L/min (pressure drop is 10 PIS)	10L/min (pressure drop is 10 PIS)	20L/min (pressure drop is 10 PIS)	15L/min (pressure drop is 10 PIS)
Wire colour	black colour	black colour	black colour	black colour	black colour	black colour
Mounting shock	30 for 11ms duration	30 for 11ms duration	30 for 11ms duration	30 for 11ms duration	30 for 11ms duration	30 for 11ms duration
Mounting vibration	35 up to 500Hz	35 up to 500Hz	35 up to 500Hz	35 up to 500Hz	35 up to 500Hz	35 up to 500Hz
Duration of cycle	100,000 cycles	100,000 cycles	100,000 cycles	100,000 cycles	100,000 cycles	100,000 cycles
Price						