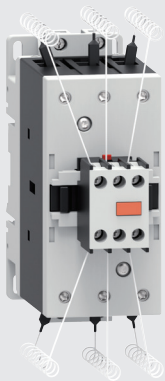




BFK1810A



BFK11500A

new



G460

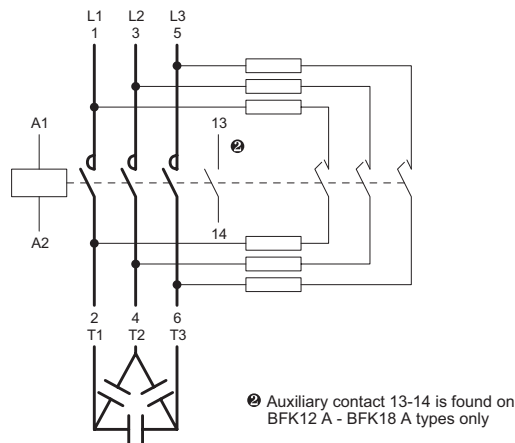
Special capacitor switching contactors are equipped with early-make limiting resistors which limit in-rush currents initially before making contact. Resistors are disconnected from the circuit when contactor closing operation is complete.

type	kvar 400V	kvar 440V	rated current	auxiliary contact	description
Capacitor switching contactors					
BFK1210A...	12.5	14	18A	1NO	capacitor switching contactor
BFK1810A...	15	17	23A	1NO	capacitor switching contactor
BFK2600A...	20	22	30A	-	capacitor switching contactor
BFK3200A...	25	27.5	36A	-	capacitor switching contactor
BFK3800A...	30	33	43A	-	capacitor switching contactor
BFK5000A...	40	45	58A	-	capacitor switching contactor
BFK8000A...	50	56	75A	-	capacitor switching contactor
BFK11500A...	75	85	115A	-	capacitor switching contactor
BFK15000A...	100	115	144A	-	capacitor switching contactor

Standard coil voltages (add to part number): **AC - 230/400/525V**

Kit to assemble BFK contactors from standard contactors

type	description	for contactor
G460	kit to assemble standard contactors for capacitor switching	BF09...38
BFX10K3	kit to assemble standard contactors for capacitor switching	BF50...80
BFX10K4	kit to assemble standard contactors for capacitor switching	BF95...150



Thyristor switching modules (intelligent)

DCTL series thyristor modules are ideal for dynamic correction of power factor. Zero cross switching guarantees very short switching times, reducing current peaks generated by capacitor insertion without voltage peaks on disconnection.

Integrated current transformers permit complete monitoring and protection of capacitor banks.

- Suitable for dynamic (*fast*) power factor correction
- Prevents high in-rush currents at capacitor switching
- Operational voltage: 400 VAC (*440/690V available on request*)

Advanced communication functions

- NFC connectivity for programming via smart devices
- Optical port for frontal connection to a PC via USB or WiFi via **CX01** or **CX02** dongle
- Optional RS485 card (*order code EXC1042 - see page A-12*) for connection to **DCRG8F** connector

type	kvar 400V	rated current	description	dimensions (mm)		
				(H)	(W)	(D)
DCTLA4000150	15	22A	thyristor switching module	218	75	172
DCTLA4000300	30	43A	thyristor switching module	218	75	172
DCTLA4000500	50	72A	thyristor switching module	226	95	182
DCTLA4001000	100	144A	thyristor switching module	301	212	216



DCTLA...

new

NFC